

ROCKER SWITCH

Features

- Power switch conforms to safety standards for electrical equipment.
- Compact with a good space factor.
- Snap-in type for easy mounting.
- The color can be changed to correspond to the set design.
- Lamps for 125V and for 250V respectively for illuminating type.



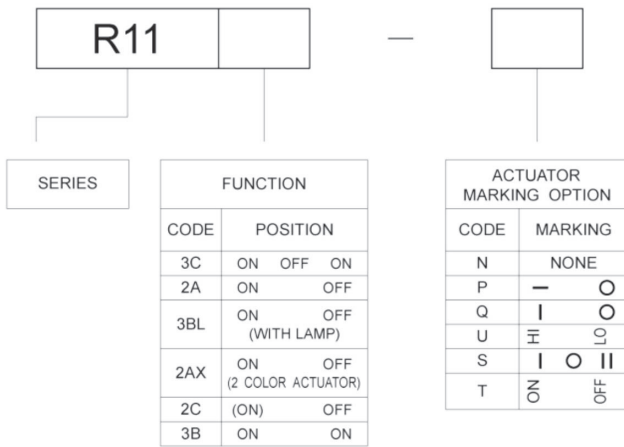
Applications

- Information and office equipment such as personal computers, word processors, facsimiles, monitors, etc.

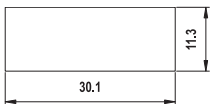
Specifications

Item	Standard
Rating	12A 125VAC / 250VAC
Insulation Resistance	100M Ω min (DC 500V)
Dielectric Strength	AC 1500V (50/60Hz for 1 minute)
Contact Resistance	50m Ω max. (initial)
Electrically Life	10,000 cycle
Operating Force	500 \pm 200 gf

Product Selection



Panel Hole Size



HIGHLY

F3

Design, specifications are subject to change without notice.

ROCKER SWITCH

Dimensions

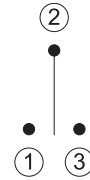
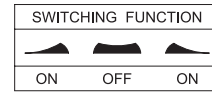
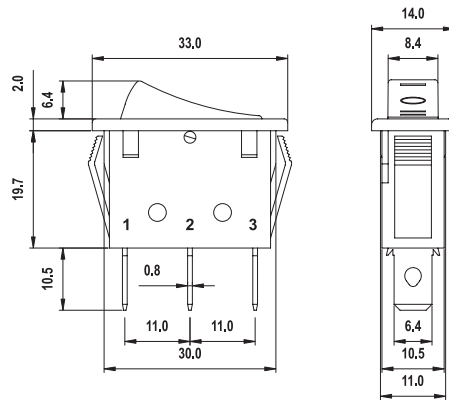
Unit: mm

Item

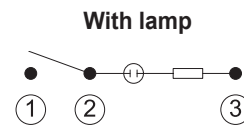
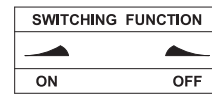
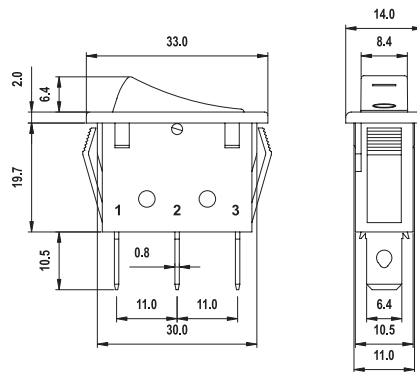
Operating Characteristics

Dimensions

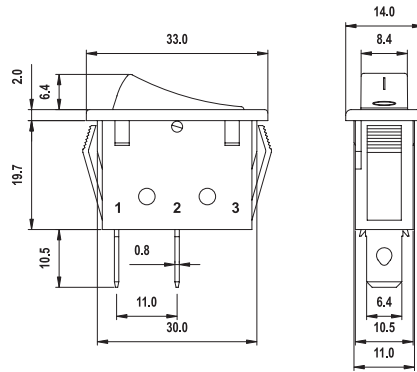
R11-3C



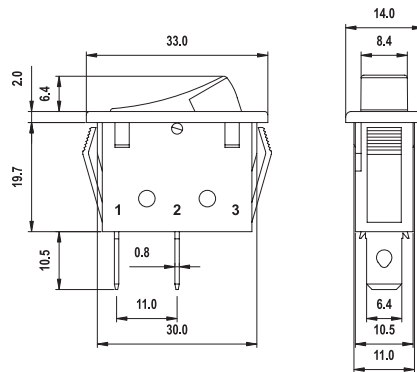
R11-3BL



R11-2A



R11-2AX



HIGHLY

F4

Design, specifications are subject to change without notice.